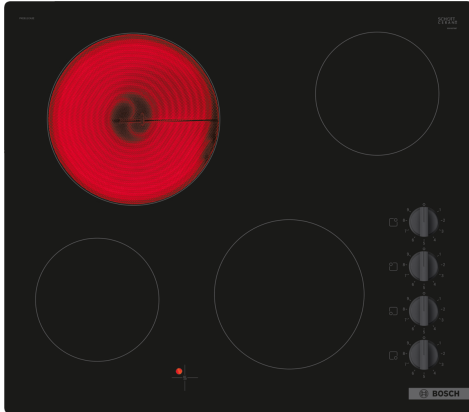


**Series 2, Electric hob, 60 cm, Black,  
PKE611CA3E**



**The glass-ceramic radiant hob: makes  
cooking and cleaning especially easy.**

- Side control dials for easy power level selection.

**Technical Data**

Product name/family: ..... Cooking zone ceramic  
 Built-in / Free-standing: ..... Built-in  
 Energy input: ..... Electric  
 Number of cooking zones: ..... 4  
 Min. required niche size for installation (HxWxD): ..... 46 x 560-560 x 490-500 mm  
 Width of the appliance: ..... 592 mm  
 Dimensions: ..... 46 x 592 x 522 mm  
 Dimensions of the packed product (HxWxD): ..... 100 x 750 x 590 mm  
 Net weight: ..... 7.4 kg  
 Gross weight: ..... 8.2 kg  
 Residual heat indicator: ..... Separate  
 Location of control panel: ..... Lateral  
 Basic surface material: ..... Ceramic glass  
 Color of surface: ..... Black  
 EAN code: ..... 4242005283194  
 Voltage: ..... 220-240 V  
 Frequency: ..... 50; 60 Hz

**Optional accessories**

HEZ390090 Wok Set consisting of 3 Items  
 HEZ9SE030 Set of 2 pots and 1 pan



## Series 2, Electric hob, 60 cm, Black, PKE611CA3E

### The glass-ceramic radiant hob: makes cooking and cleaning especially easy.

---

#### Flexibility of cooking zones

- Cooking zone front left: 145 mm, 1.2 KW
- Cooking zone rear left: 210 mm, 2.2 KW
- Cooking zone rear right: 145 mm, 1.2 KW
- Cooking zone front right: 180 mm, 2 KW

#### Usage convenience

- Sword knob: control the power with mounted dials.
- Variable 9-stage power settings for each zone: precisely adapt the heat with 9 power levels.

#### Design

- 60 cm: space for 4 pots or pans.
- Frameless design

#### Safety

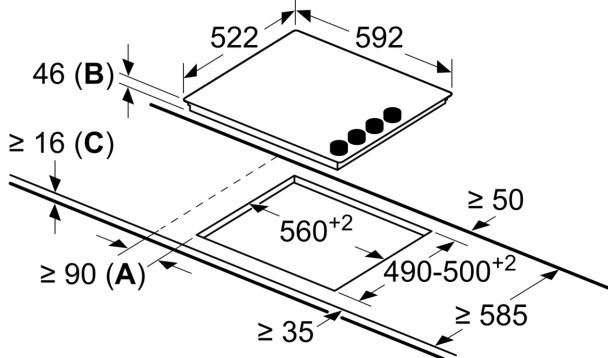
- Residual heat indicator for each zone: indicates which cooking zones are still hot.

#### Installation

- Dimensions of the product (HxWxD mm): 46 x 592 x 522
- Required niche size for installation (HxWxD mm) : 46 x 560 x (490 - 500)
- Min. worktop thickness: 16 mm
- Connected load: 6.6 KW

**Series 2, Electric hob, 60 cm, Black,  
PKE611CA3E**

measurements in mm



- A:** Minimum distance from the hob cut-out to the wall.
- B:** Recessed depth
- C:** With fitted oven underneath min. 20, possibly more; see space requirements for the oven.